



■	BR 1.15.10/2-SCS	# 01 330
■	BR 1.20.10/2-SCS	# 01 332
■	BR 1.15.12/2-SCS	# 01 333



OPERATION MANUAL

CONTENTS	Seite
1. Safety Instructions	2
2. General advice	3
3. Technical data	3
4. Description	3
5. Assembling / Installation	3
6. Spare parts and accessories	4
7. Operation	4
8. Maintenance and trouble shooting	4
9. Disposal	4
10. Warranty	4

1.

1. Safety instructios



Please observe: This operation manual contains all necessary information. Please read carefully to avoid damages and faults. All Rapid pieces of equipment are checked carefully before delivery for their perfect composition and function. In case of improper use all rights to claim under guarantee are void.



Make sure that only skilled staff is working with this device in order to prevent damages and accidents caused by improper use.



Environmental conditions i.e. humidity, low temperatures, sunlight and contamination may damage device.



Before using the device make sure that it is not contaminated to prevent any injury. Avoid any contamination of device as well as of environment. In case of any contamination during operation of device take care that it is immediately and professionally removed.



Always wear safety cloths respecting the applicable regulations for accident prevention



Only use this device conforming to its purpose and function. Improper use can cause severe injuries.



Caution – moving parts, sharp edges, hot machine parts or exhausting steam can cause severe injuries.



Before use always check the device for damages and leaks. In case of any damage or leak make sure that it is repaired professionally before use. Operation of defect device may cause severe injuries.



In case of any sign of damage or malfunction during operation of device stop device immediately to prevent injuries. Before next use make sure that the device professionally repaired.



Take care that in case of an accident all emergency measures are on hand

2. General advice

Hose Reel Safety Precautions

1. Use proper eye protection when assembling and using the hose reel.
2. Keep children away from the work area.
3. Personal injury and/or equipment damage may result if proper safety precautions are not observed.
4. Ensure that reel is properly installed before connecting input and output hoses.
5. Bleed fluid/gas pressure from system before servicing reel.
6. Before connecting reel to supply line ensure that pressure does not exceed maximum working pressure rating of reel.
7. Remember, even low pressure is very dangerous and can cause personal injury or death.
8. If a leak occurs in the hose or reel, remove system pressure immediately.
9. Ensure that reel, hose, and equipment being service are properly grounded.
10. If reel ceases to unwind or rewind, remove system pressure immediately.
11. Do not pull or jerk on hose.

3. Technical data

Type	1.15.10/2-SCS - # 01 330	1.20.10./2-SCS - # 01 332	1.15.12./2-SCS - # 01 333
Max. Pressure (psi/bar)	300/20		
	Hose		
Material	Hybrid polymer		
Work Tempertaure (°C/°F)	-40°C - + 60°C / -40°F - +140°F		
inner Diameter (inch/mm)	3/8" / 10	3/8" / 10	1/2" / 12
Length (m)	15	20	15
Inlet / Outlet	3/8" BSPT	3/8"	1/2"
Remarks	Stop at any point, slow retraction		

4. Description

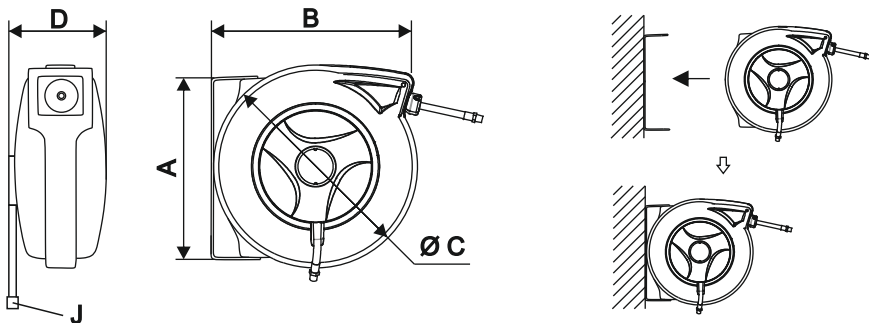
Air hose reel with hybrid polymer hose up to 20bar maximum pressure. while pullout reel can stop at any point and while and slow retraction.

5. Assembling / Installation

Installation of Hose Reel

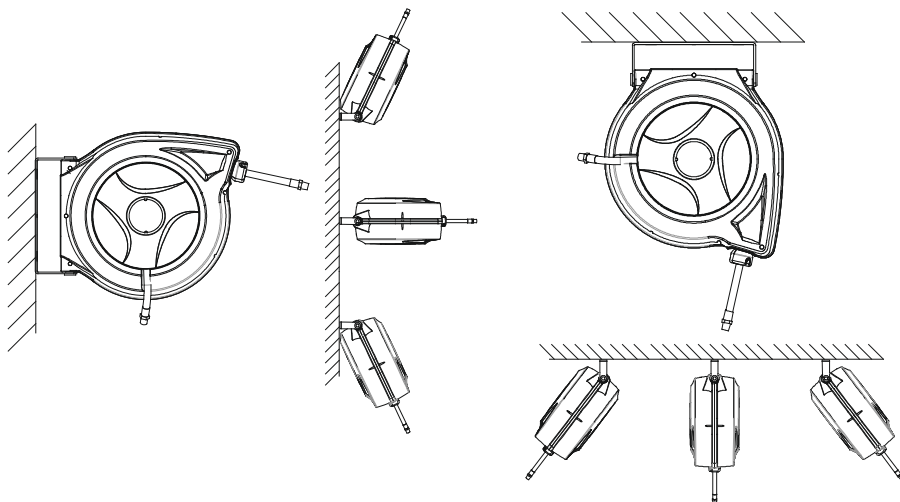
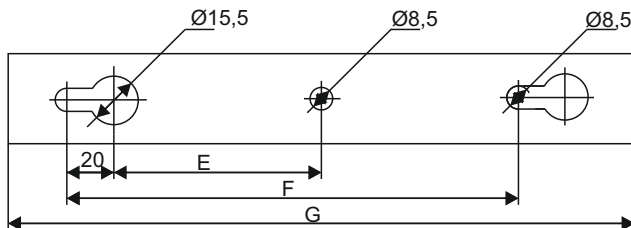
You will need to purchase appropriate hardware for mounting your new reel.

- 1) For mounting: For air series, Install reel on the wall and ceiling at most 9feet / 3m above the floor. For water series, Install reel on the wall at most 4.5feet / 1.5m above the floor .
- 2) The reel base has two mounting holes for mounting on a suitable flat surface for air series(four mounting holes for water series). Below figures is a template showing the correct location of the mounting holes in the base.
- 3) Using the mounting holes in the base, mount the reel in the desired location. Be sure to use appropriate hardware and tighten securely.
- 4) The end of incoming hose can be connected to desired supply source.
- 5) Outlet fittings on reel hose attach to desired tool, or nozzle. Check connection for leakage, also check hose reel for correct operation. See: Operation section.
- 6) If hose stopper adjustment is required, pull hose from reel and allow to latch at desired length. Loosen stopper bolts, and slide stopper to a position close to the hose guide. Tighten stopper bolts, and unlatch the reel.

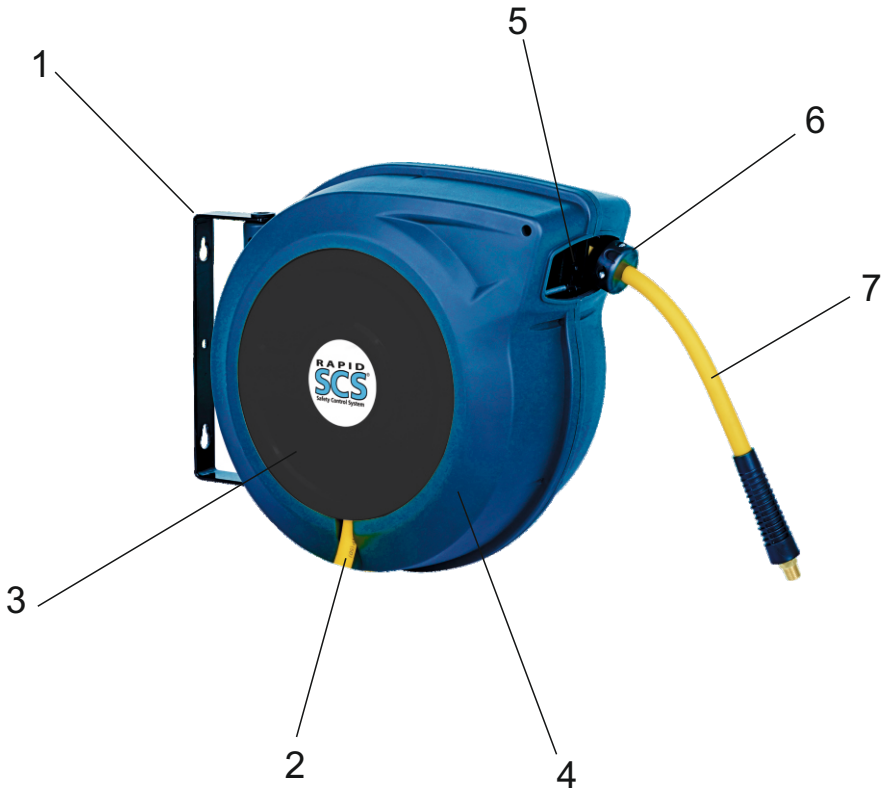


Index	A	B	C	D	E	F	G
1.15.10/2-SCS # 01 330	260	459	378	205	83	185	261
1.20.10/2-SCS # 01 332	261	500	418	210	83	185	261
1.15.12/2-SCS # 01 333	261	500	418	210	83	185	261

Fixing holes



6. Spare parts and accessories



Pos.	Description
1	Holder
2	Delivery hose
3	Cover
4	Housing
5	Roller outlet
6	Hose stopper
7	Hose

7. Operation

1. Check reel for correct operation by slowly pulling out the hose.
2. To latch the reel, slowly pull out the hose to any point, Relax the hose to stop. Note : it can not exceed the back end mark When the hose is pulled out,
3. To unlatch the reel, slowly pull the hose after relax , and then let the hose retract until the hose stop rests against the hose guide.
Note: To avoid damage to the reel, always hold on to the hose while it is rewinding.
4. Periodically check the hose condition for wear or damage, and check the swivel fitting for leakage. Replace any worn, damaged, or leaking parts.

8. Maintenance and trouble shooting

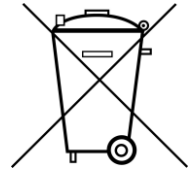
Make sure the hose is in proper working order.

Clean the hose with a cloth dipped in warm water to remove dirt or deposits and ensure correct rewinding.

Do not use detergents or solvents which could prove incompatible with cable-winder materials. Dismantling of the unit by unskilled personal could prove hazardous; the risk involved mainly concern the preloaded springs.

9. Disposal

- 9.1 Completely empty all parts of the equipment (hoses, pumps , tanks , etc) and given case blown out with air .
- 9.2 dangerous parts of the appliance must be made unusable f.e. perforate pressure vessel , deform hose reels , etc.
- 9.3 rubber , metals, glass ect. must be separated .
Dispose material fractions according to the local laws and regulations .



YOUR CONTRIBUTION TO PROTECT THE ENVIRONMENT

The pertinent regulations for the registration, setting up and operation of equipment for dealing with materials hazardous to water must always be complied with by the user.

10. Warranty

- 10.1 In case of insufficient maintenance, faults on operation, use of not adequate spare parts or attachments all liabilities and rights of claim under guarantee are void.
- 10.2 The manufacturer is not liable for improper use of the container or ignoring the safety instructions.
- 10.3 Technical modifications are subject to change without announcement.

