



KBR 0.10.05/1.# 00 101

KBR 0.15.05/1.# 00 102

KBR 0.25.05/1.# 00 103



OPERATION MANUAL

CONTENTS	Seite
1. Safety Instructions	2
2. General advice	3
3. Technical data	3
4. Description	3
5. Assembling / Installation	3-4
6. Spare parts and accessories	4
7. Operation	5
8. Maintenance and trouble shooting	5
9. Disposal	5
10. Warranty	5

1. Safety instructions



Please observe: This operation manual contains all necessary information. Please read carefully to avoid damages and faults. All Rapid pieces of equipment are checked carefully before delivery for their perfect composition and function. In case of improper use all rights to claim under guarantee are void.



Make sure that only skilled staff is working with this device in order to prevent damages and accidents caused by improper use.



Environmental conditions i.e. humidity, low temperatures, sunlight and contamination may damage device.



Before using the device make sure that it is not contaminated to prevent any injury. Avoid any contamination of device as well as of environment. In case of any contamination during operation of device take care that it is immediately and professionally removed.



Always wear safety cloths respecting the applicable regulations for accident prevention



Only use this device conforming to its purpose and function. Improper use can cause severe injuries.



Caution – moving parts, sharp edges, hot machine parts or exhausting steam can cause severe injuries.



Before use always check the device for damages and leaks. In case of any damage or leak make sure that it is repaired professionally before use. Operation of defect device may cause severe injuries.



In case of any sign of damage or malfunction during operation of device stop device immediately to prevent injuries. Before next use make sure that the device professionally repaired.



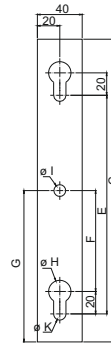
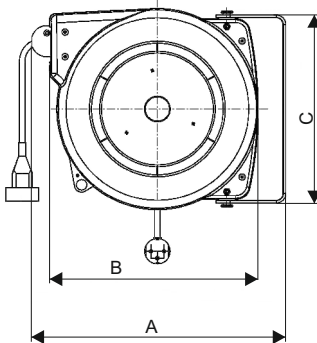
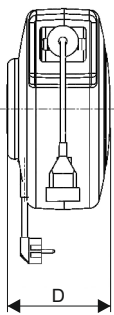
Take care that in case of an accident all emergency measures are on hand

2. General advice

- 2.1 Make sure, that only qualified electricians install or maintain this cable reel. It must not used by children or other not instructed persons.
- 2.2 Make sure, that the voltage of the current entry should not exceed the maximum permissible voltage of the cable reel.
- 2.3 Make sure that before connecting to the electric current, the cable reel has been installed in proper form.
- 2.4 Make sure that before every use the current supply was cut off.
- 2.5 Before every use cable has to be checked for damages and if there are any they have to be eliminated.
- 2.6 Winding the cable off the reel should only be done by taking the cable itself and not the attached tool.
- 2.7 In case any dysfunction occurs immediately cut off the current supply.
- 2.8 Never remove or changed the manufacturer's safety instructions labelled on the hose reel.
- 2.9 Never use the hose reel under damp and wet conditions. The working area must always be clean. Avoid that dirty parts or the like get into the inner of the hose reel.

3. Technical data

Modell	cable cross section (mm ²)	Number of wires	Cable type	cable length max. (m)	VoIt (V)	wind up (W)	wind off (W)	protection class
0.10.05/1	1,5	3	H07RN-F	10	230	1000	2000	IP 42
0.15.05/1	1,5	3	H07RN-F	15	230	1000	2000	IP 42
0.25.05/1	1,5	3	H07RN-F	25	230	1000	2000	IP 42



Hole pattern

Typ	A	B	C	D	E	F	G	H	I	K
0.10.05/1	335	295	270	150	195	90	135	ø20	ø10,5	ø10,5
0.15.05/1	335	295	270	150	195	90	135	ø20	ø10,5	ø10,5
0.25.05/1	410	400	357	207	280	131	180	ø17	ø8,4	ø10,5

4. Description

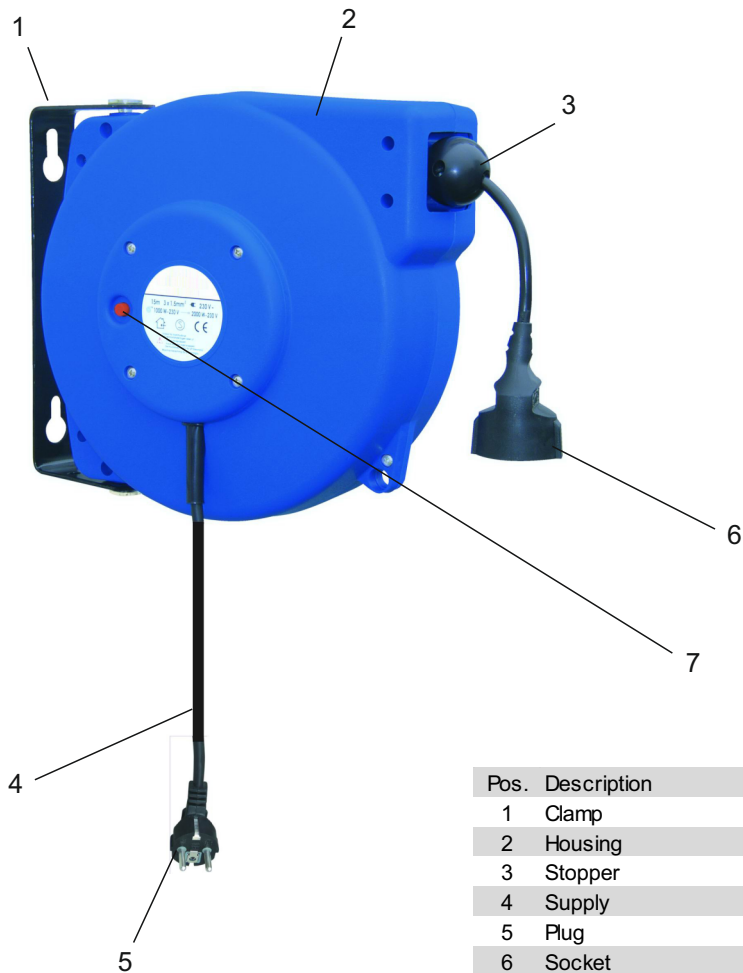
This cable reel with plastic housing ist designed for use with 230 V

5. Assembling / Installation

- 3.1.1 In principle installation to the wall or to the ceiling is possible. In this case it is to take care for a stable ground and for fixing material corresponding to the strain of weight and traction.

- 5.2 Hole pattern corresponding to drawing.
- 5.3 When installing to the ceiling it has to be taken care for sufficiently free space for traffic routes below.
- 5.4 The cable reel must be installed according to the actual regulations and norms for electronic systems and workplace surroundings.
- 5.5 Adjust loose end of the cable by sliding the stoppers. For this loose the screws within the stopper and slide the stopper to the requested position and tight the screws again.

6. Spare parts and accessories



Pos.	Description
1	Clamp
2	Housing
3	Stopper
4	Supply
5	Plug
6	Socket
7	Fuse

7. Operation

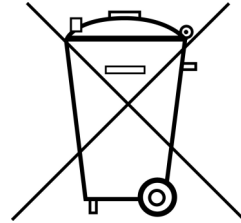
- 7.1 Before any use always check cable reel for damages and injuries. If necessary eliminate by suitable means.
- 7.2 Wind off cable as far necessary. The drum can be locked after each rotation, so working with tension free cable is possible.
- 7.3 To wind up it is enough to pull the cable slightly to release the lock. Let the cable wind up by means of the spring force until the stopper hits the cable guide. During this the cable has to be guided manually and it should not wind up on its own.

8. Maintenance and trouble shooting

- 8.1 Make sure that the cable is in good working condition and that insulation is not damaged, as otherwise there is danger of life.
- 8.2 Clean all dirt and sediments off the cable by suitable means and take care for carefully winding up.
- 8.3 In case maintenance of technical or mechanical parts is necessary or the cable has to be replaced, kindly contact the authorized seller respectively an electrician.
- 8.4 Disassembly of the unit may cause personal injuries and has to be carried out only by qualified RAPID stuff.

9. Disposal

- 9.1 Completely empty all parts of the equipment (hoses, pumps , tanks , etc) and given case blown out with air .
- 9.2 dangerous parts of the appliance must be made unusable f.e. perforate pressure vessel , deform hose reels , etc.
- 9.3 rubber , metals, glass ect. must be separated .
Dispose material fractions according to the local laws and regulations .



YOUR CONTRIBUTION TO PROTECT THE ENVIRONMENT

The pertinent regulations for the registration, setting up and operation of equipment for dealing with materials hazardous to water must always be complied with by the user.

10. Warranty

- 10.1 In case of insufficient maintenance, faults on operation, use of not adequate spare parts or attachments all liabilities and rights of claim under guarantee are void.
- 10.2 The manufacturer is not liable for improper use of the container or ignoring the safety instructions.
- 10.3 Technical modifications are subject to change without announcement.

